



**ERSHIGS
INCORPORATED**

RTP-1
RTP
Certified

Ershigs, Inc. is accredited by the American Society of Mechanical Engineers to certify the Reinforced Thermoset Plastic (RTP) vessels it builds meet ASME's RTP-1 standard.

LARGE DIAMETER FRP FIELD TANKS AND VESSELS



Waste Water Tanks, 65' Dia x 40', 1993

- **TANKS**
- **SCRUBBERS**
- **ABSORBERS**
- **STRIPPERS**
- **BLEACH TOWERS**
- **MIST ELIMINATORS**
- **PROCESS VESSELS**

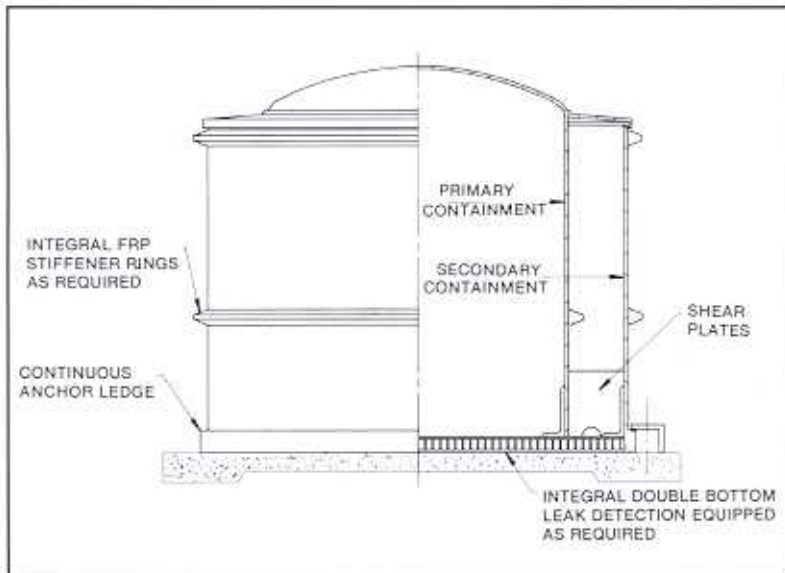
ERSHIGS FIRST IN LARGE DIAMETER FRP FIELD TANKS

Ershigs' large diameter field manufactured tanks have been in service since 1972. Ershigs can design and field manufacture tanks and process vessels from 14 feet to 65 feet in diameter.

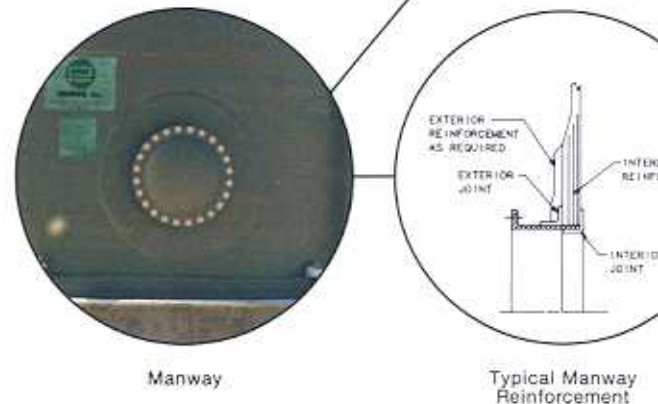
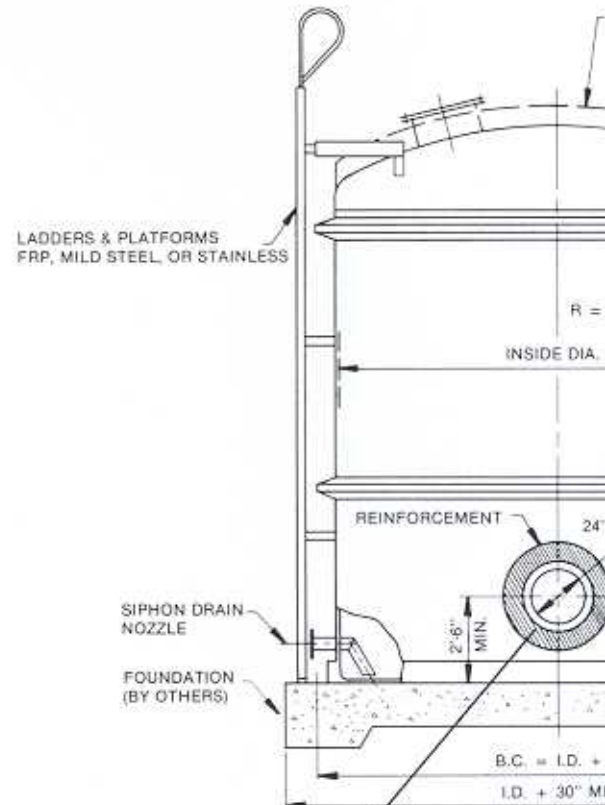
“The leader in FRP systems ...”



38' Diameter Acid Storage Tank, 1980



Typical Double Wall or Secondary Containment Vessel Details



Ershigs, Inc. has over 25 years experience in tank and vessel design and proven on-site manufacturing technology.

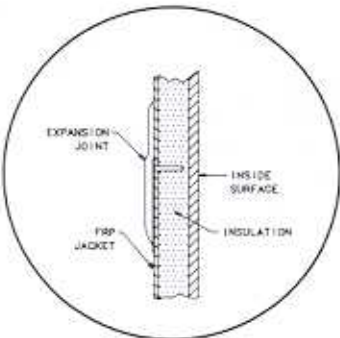
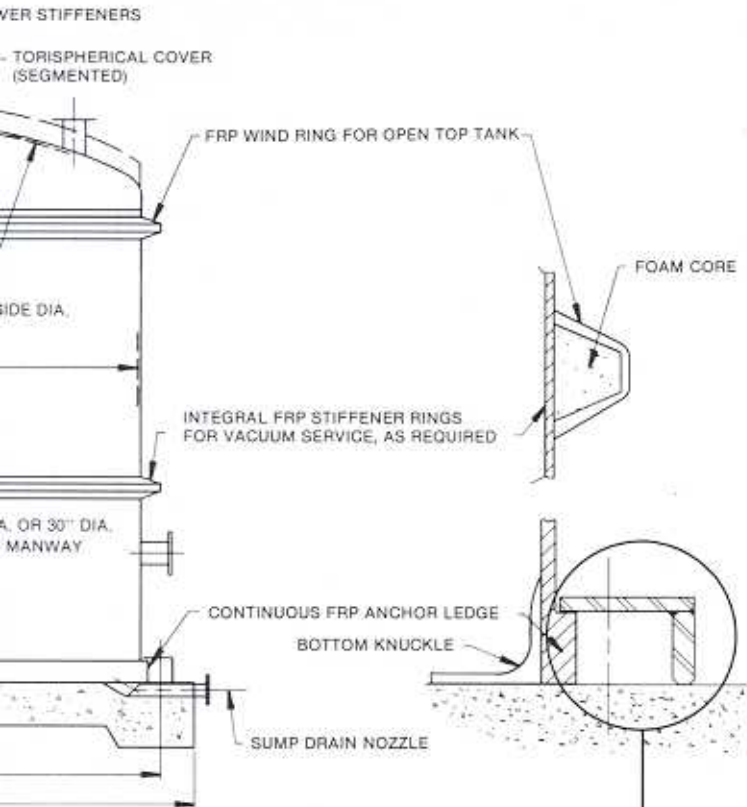
Ershigs' efficient use of **monolithic construction techniques, reinforced anchor ledges, tension bands and rigging systems** permit the manufacture, lifting and setting of large diameter tanks **without sidewall deformation**.

Ershigs' tanks and vessels can be **fabricated in place or on a nearby manufacturing pad** and set in place virtually complete.

Ershigs' manufacturing procedures minimize installation time and disruptions to other site contractors or work functions.

Ershigs' patented **on-site manufacturing process** provides the end user many unique features:

- **Monolithic shell wall construction** up to 35' in height on most diameters. This minimizes the need for secondary structural bracing in the shell wall.
- **An integrally wound continuous anchor ledge** which provides a simple and structurally superior anchoring method and a reinforced tension band to prevent overstressing the internal bottom knuckle. This anchor ledge configuration also permits replacing or adding additional hold-down lugs without modifications to the vessel.
- **Manways and nozzles are reinforced** to ensure shell wall integrity. Reinforcements for large nozzles and manways are custom designed and applied in the shell wall using a unique interlaminar technique.
- **Ershigs' proprietary and proven internal knuckle reinforcement** relieves bottom to sidewall stress and provides a smooth corner.
- **Interior Corrosion Barrier**
- **Continuous strand roving** for optimum hoop strength



Typical Insulated & Jacketed Side Wall



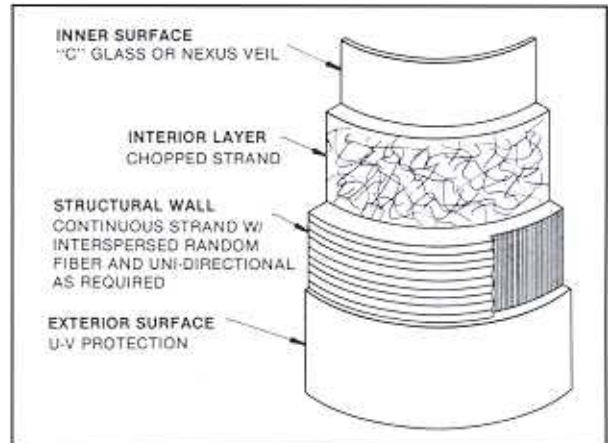
Anchor Ledge



48' X 32' Waste Water Neutralization Tanks, 1988



40' X 37' Chlorine Dioxide Storage Tanks, 1989



Laminate Construction

Ershigs capabilities offer great versatility in large diameter field tanks:

- Molded in color
- Top shape -
 - Flanged
 - Flat
 - Dished (Preferred)
- Bottom shape -
 - Flat
 - Sloped
 - Cone
- False bottoms for leak detection
- Nozzle Schedule -
 - Drain(s) - siphon, sump
 - Vent(s) - atmosphere; to stack; to scrubber
 - Manhole(s)
 - Process Nozzles
 - Instrumentation Nozzles
- Agitator
- Baffles
- Jacketed side wall insulation
- Tapered shell walls
- Integral side wall stiffeners
- Tube sheets
- Heating/Cooling Requirements
- Anchors
- Attachments
 - Ladders
 - Platforms
 - Stairs
 - Brackets
- Explosion Hatch
- Level Gauge Boards

STANDARD DIAMETERS	CAPACITY U.S. GAL./FT.
14'	1,152
15'	1,322
16'	1,504
18'	1,904
20'	2,350
24'	3,384
30'	5,288
36'	7,614
40'	9,400
42'	10,364
48'	13,536
52'	15,886
55'	17,772
60'	21,151
65'	24,812

Non-Standard Diameters Are Available Upon Request



ERSHIGS
INCORPORATED

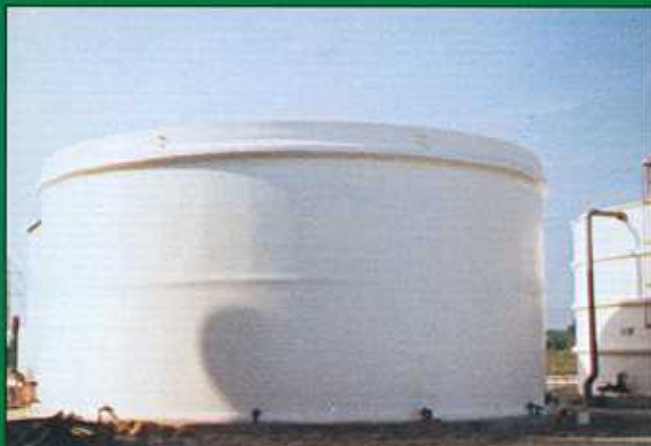
OWNER _____
 P.O. NO. _____
 EQUIP NO. _____
 SERVICE _____

 ERSHIGS NO. _____
 DATE OF MFG _____

— DESIGN DATA —

MAX PRESSURE _____
 VACUUM _____
 MAX TEMP (F) _____
 SPEC GRAVITY _____
 SEISMIC ZONE _____
 WIND LOAD _____
 EMPTY WT (LBS) _____
 CAPACITY (GAL) _____
 LINER RESIN _____
 STRUCT RESIN _____

*When it comes to FRP,
the Ershigs label is your best guarantee*



Waste Acid Tank, 42'x20', 1984

LARGE DIAMETER FIELD TANKS

PARTIAL CLIENT LIST

Advanced Air Technology
 Alabama River Pulp Co.
 ASARCO
 Boise Cascade Corp.
 Boston Edison Co.
 C.F. Industries
 Consolidated Papers Inc.
 Dow Corning Corp.
 Eli Lilly Co.
 Federal Paperboard Co.
 Freeport Chemical
 Georgia Pacific Corp.
 Hammermill Inc.
 I.B.M. Corp.
 I.M.C.
 International Paper Co.
 ITT Rayonier
 J.R. Simplot Co.
 James River Corp.
 Kimberly-Clark Corp.
 Louisiana Pacific Co.
 MAGCORP
 Marathon Oil Co.
 Mead Corporation
 Oak Mitsui
 Pacific Gas and Electric
 Procter & Gamble Co. (The)
 Publishers Paper Co.
 Rubicon Chemical
 S.D. Warren, Divn. of Scott Paper
 Southern Company Services
 Tennessee Eastman Co.
 Union Camp Corp.
 Vulcan Materials Corp.
 W.R. Grace Co.
 Willamette Industries Inc.



ERSHIGS
INCORPORATED

Corporate Offices:

742 Marine Drive
 P.O. Box 1707
 Bellingham, Washington 98227
 Telephone (360) 733-2620
 Fax (360) 733-2628